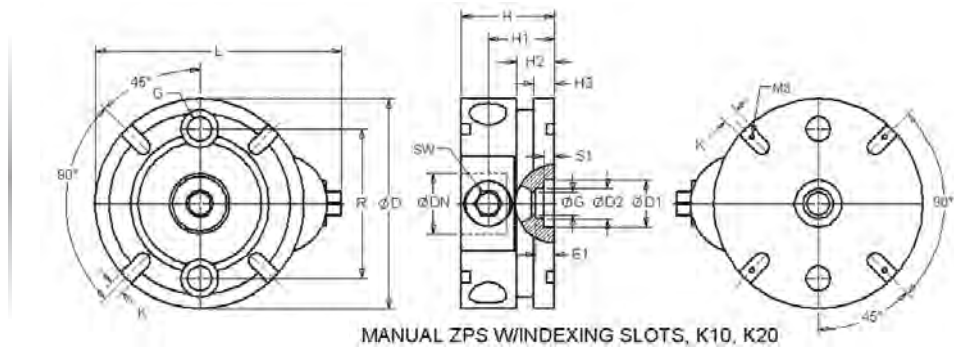


## Manual ZPS

Ideal when Pneumatic and Hydraulic connections are not available

The manual ZPS modules provide locating and clamping with single bolt actuation. The indexing slots on the face of the modules allow workpieces to be indexed in 90° increments. Indexing slot plugs are available for applications where only specified slots are needed.

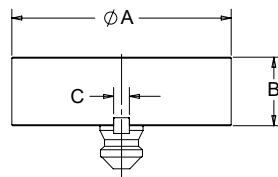
- Mechanical clamping and unclamping
- Quenched and tempered steel
- Repeatability 0.01 mm (0.0004 in.)
- Single Hex Drive Actuation
- Flexible Mounting & Placement
- Two Sizes Available – K10 & K20
- Eliminates Need for Air or Hydraulic Connection



Part Number	Size	Pull-in / Locking Force kN / (lbs)	Holding Force kN / (lbs)	Tightening Torque Nm / (ft. lbs)	D	D1 +.01/-0	D2	DN	E1	G	H ±.01	H1	H2	H3	K F6	L	R	S1	SW	Weight (Kgs)
559775	K10	6 (1349)	25 (5620)	30 (22.1)	78	15	—	22	4,5	M8	32	22	—	—	8	93	50	—	10	1.03
564071	K20	10 (2248)	55 (12364)	30 (22.1)	112	25	16	32	10,0	M12	50	35.5	20	11	8	132	80	5,5	13	3.30

## Machinable Blanks

- Compatible with manual clamping modules and clamping modules with indexing feature
- Designed to be modified for accepting various parts and clamping systems
- Material: Low carbon steel or aluminum
- Includes (1) Zero Point Stud & (1) Indexing Key Installed



Part No. Aluminum	Wt. (kg)	Part No. Steel	Wt. (kg)	Pull Stud Size	A (mm)	B (mm)	C (mm)
300000	0.93	300001	2.7	K10	112	35	8h6
300002	1.4	300003	4.1	K20	138	35	10h6
300004	1.4	300005	4.1	K20	138	35	8h6

QUICK CHANGE FIXTURING » ZERO POINT MOUNTING SYSTEM